



HYDRAULIC COMPACTION PLATES

Taurox provides the construction industry with products utilizing the latest in design innovation and quality. Our Hydraulic Compaction Plates have been proven and refined by many years of aggressive service, backed by our industry leading warranty.

FEATURES

- Available for 5 - 40 Ton machines
- Designed for Extreme Operating Conditions
- Industry Leading Compaction Technology
- 2 Year Factory Warranty
- Meets ISO 9001 Standards
- Local Parts and Service

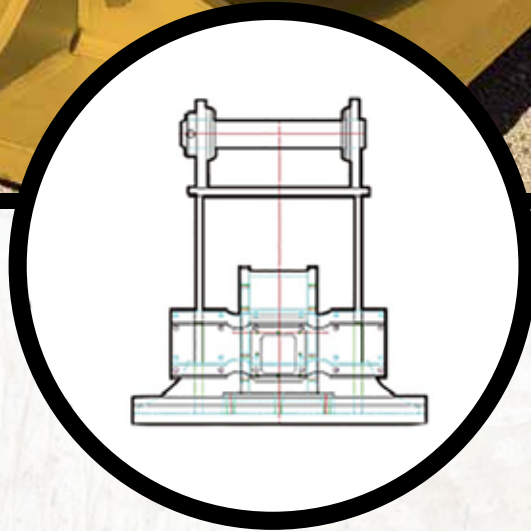
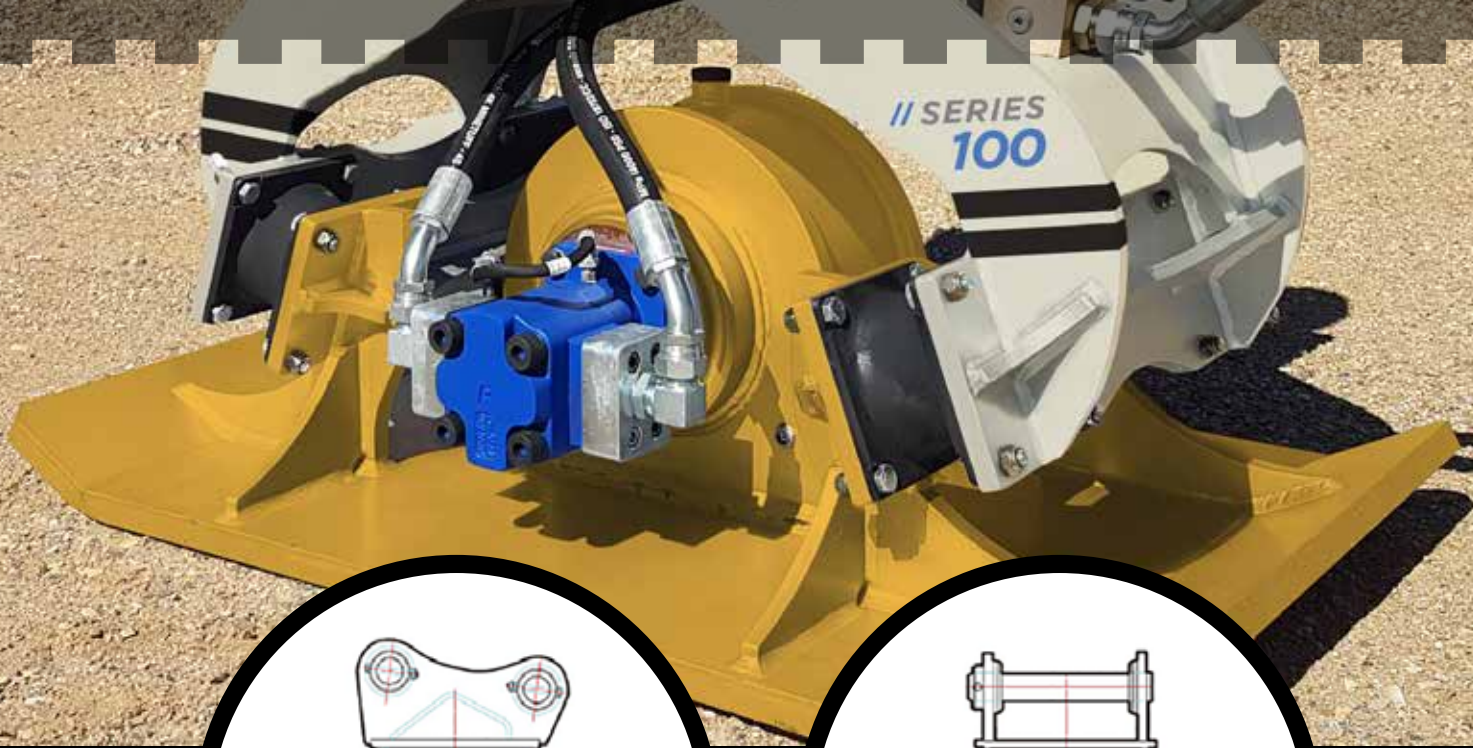
WE GIVE YOU
PEACE OF MIND



YOU GET

1. VALUE
2. WARRANTY
3. SUPPORT





HYDRAULIC COMPACTION PLATE SPECIFICATIONS

	Unit	<i>SERIES20</i>	<i>SERIES30</i>	<i>SERIES40</i>	<i>SERIES60</i>	<i>SERIES80</i>	<i>SERIES100</i>
Carrier Weight	tonne	5 - 7	7 - 9	12 - 15	16 - 25	25 - 32	32 - 40
Compaction Force	tonne	5	7	10	13	15	17
Operating Pressure	kg/cm ²	150 - 210	150 - 210	150 - 210	150 - 210	180 - 210	180 - 210
Oil Flow Range	l/min	40 - 50	45 - 75	85 - 105	120 - 170	120 - 170	120 - 170
Plate Dimensions	(L x W x T) mm	920 x 530 x 25	950 x 550 x 25	1145 x 700 x 28	1250 x 850 x 30	1350 x 950 x 32	1450 x 1050 x 35
Height	mm	740	800	850	975	1050	1100
Weight	kg	350	500	650	900	1150	1300



Distributed By: